

Praise on the Prairie

Volume 1 • Issue
6
June, 2022

ST. PETER'S LUTHERAN CHURCH & SCHOOL

Church: 888-2250 -- School: 888-2252

E-MAIL: splcasop@madisontelco.com

Prairietown, Illinois

Rev. Brandon Larson, Pastor Melissa Burns, Principal

Youth & Adult Bible Class 9 a.m.

Sunday School, 9 a.m.

Worship, 10:00 a.m. Sundays and 5:30 p.m. the 2nd & 4th Saturdays of the month

Preparing for Worship

June 5 Pentecost/communion
Sun. Organist: Jim Wiemers
10 a.m. Communion: Brenda Werner
 Elder of the week: Jerry Scheumann

June 11 Worship w/communion
Sat.
6:30 p.m.

June 12 Trinity Sunday
Sun. Organist: Jim Wiemers
10 a.m. Elder of the week: Don Wiemers

June 19 2nd Sun. after Pentecost/communion
Sun. Organist: Deagan Jones
10:00 a.m. Communion: Brenda Werner
 Elder of the week: Rich Jones

June 25 Worship/communion
Sat.
6:30 p.m.

June 26 3rd Sunday after Pentecost
Sun. Organist: Jim Wiemers
10 a.m. Elder of the week: Ron Isenberg



Banners: Brenda Werner
Flowers: Linda Wiemers

Ushers: Brett Dustmann, Michael Goebel,
John Gusewelle

A huge Thank You to Ed Schuetz and Crystal Isbell at Prairie Inn for their continued ordering and donating wine for our Communion Services. As always, I have written them a thank you note and delivered it but I am asking members of St. Peter's to personally thank them the next time you see them. They have been donating the wine as Sammie, the previous owner, did for many years and we are so grateful. This is a huge cost savings for our Altar Guild and Church.

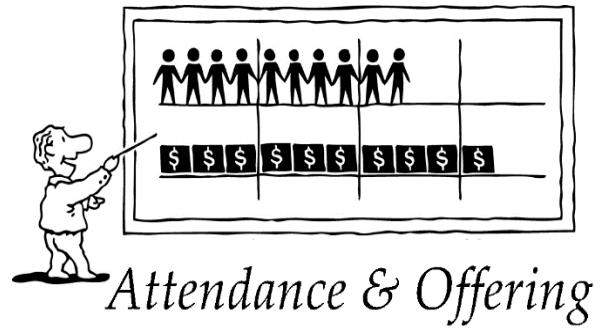
Brenda, Altar Guild Sec/Tres



OPERATING BUDGET 2022	\$ 334,608
AMOUNT NEEDED	6,435
OUR CHALLENGE THRU MAY 22	\$ 135,135
OUR RESPONSE THRU MAY 22	109,026
SHORT	\$ 26,109

MISSION

2022 BUDGET	\$ 8,000
WEEKLY AMOUNT NEEDED	154
OUR CHALLENGE THRU MAY 22	\$ 3,234
OUR RESPONSE THRU MAY 22	3,795
OVER	\$ 561



May Attendance

	Divine Service/ Lord's Supper
May 1	112
May 7	10
May 8	86
May 15	78
May 21	16
May 22	116

May Financial Report

	HOME	MISSION FUND	BUILDING	DEBT	TUITION	METRO EAST
May 1	\$ 3,049.00	\$ 30.00	\$ 410.00			\$ 100.00
May 7 & 8	\$ 3,761.00	\$ 20.00	\$ 140.00			
May 15	\$ 3,610.00	\$ 30.00			\$ 450.00	
May 21 & 22	\$ 2,089.00	\$ 10.00			\$ 6,116.68	\$ 100.00



SPECIAL INTERCESSIONS

For those experiencing various problems... Judy Haynes; Amy Larson; Lloyd Schaefer, Kathy Wiemers; Evelyn Meyer (mother of Lori)

Dealing with Cancer: Lloyd Schaefer, Kathy Wiemers, Kennedy Stalcup (great-granddaughter of Marian Isenberg) Evelyn Meyer (mother of Lori), Phillip Roberson (brother of Dave)

Care facilities or homebound: David Kinder, Murray Center, Centralia; Robert Werner in Glenwood; Maurice Duncan at home; Frances Westerhold in Glenwood; Wilma Braasch in Glenwood, Ruth Newby in Hitz Memorial, George Loew at home

Ongoing Health Issues: Molly McCalla, Gloria Hacking, Ben Goebel, David Peters, Aaron Peters; John Dinnius, Donna Scherff

NEWS AND ANNOUNCEMENTS

CHURCH STATISTICS



5-6-22 Wendy Franklin transferred to Holy Cross Lutheran Church in Clayton, North Carolina.

OFFICE HOURS for the summer are Monday, Wednesday, & Friday from 9 am to 11:30 am.

VACATION BIBLE SCHOOL...June 27-30 is set for our "Food Truck Party" VBS where "We are on a Roll with God!" We will meet from 9:00-11:30 AM. We will be using Matthew 6:11; "Give us this day our daily bread" as children are invited to pray as Jesus teaches. These words serve as a reminder that everything we have comes from God - and our daily needs are met by God. Ages 4 to 4th grade are welcome to attend. Registration forms will be available online and at the back of church by the mailboxes. Return the paper forms to the envelope on the back bulletin board. If you would like to volunteer to help, please contact Melissa Burns at 618-975-8581. Donations for our Food Truck Party will be on post-it notes in the church June 12th and 19th along with a free will offering basket.

SUNDAY SCHOOL classes are cancelled for the summer. The class will resume on August 22. We are always looking for Sunday School teachers. Please let Mrs. Krohne 888-2250 or Mrs. Burns 975-8581 know if you would be interested. Thanks!

GEORGE LOEW will be turning 90 on June 18th. If anyone would like to send him a birthday card, he would just love that. Send card to him at 6972 Prairietown Road, Edwardsville, Il. 62025

EMMAUS LUTHERAN is having a "Let-uce Shine in God's Love" Salad Luncheon on Saturday, June 25 from 11 am to 2 pm. Cost is \$7.00.

METRO-EAST LUTHERAN High School is looking for foreign student **HOST FAMILIES** for the 22/23 school year. Please prayerfully consider opening your home up for one of these students to attend our school. If you are interested or want additional information please contact Dr. Jay Krause, Principal, at jay.krause@melhs.org or call the school office at 618-656-0043.

A FATHER'S LOVE

In all that you do, a dad's love plays a part. There's always a place for him deep in your heart. And each year that passes, you're even more glad, More grateful and proud just to call him your dad!

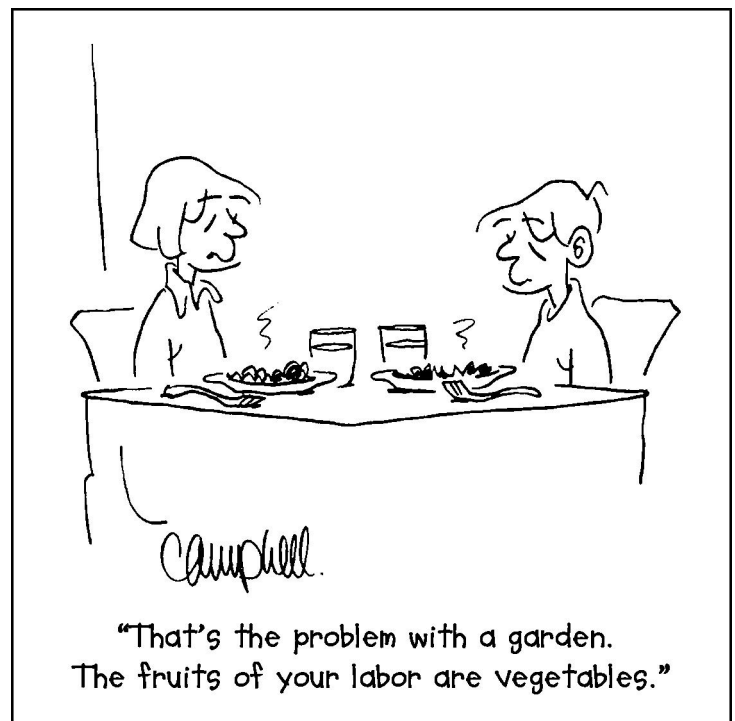
LIKE FATHER, LIKE CHILD

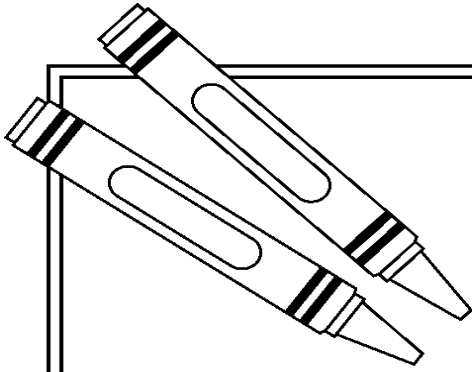
As we celebrate Father's Day, we likely see traits in our dads (or other father figures) that we hope to be known for ourselves: integrity, gentleness, a great sense of humor, a love of learning, a humble spirit.

Amy Grant's song "Father's Eyes" tells of a young girl who wants nothing more than for others to recognize her father — and her heavenly Father — in her. "When people look inside my life, I want to hear them say, 'She's got her father's eyes.'"

What characteristics of God your Father are reflected in your eyes, heart and life? And what godly qualities would you like to cultivate?

May others see our heavenly Father in us!






Just for **KIDS**

Fathers and Sons of the Bible

Proverbs 13:1 says,
"A wise son heeds his father's instruction."

In the puzzle below, find and circle the names of these fathers and their sons from the Old Testament. Names may be forward, backward, diagonal,  up or down. Circle them.

- | | | | | |
|------|---------|---------|----------|----------|
| ADAM | JAPHETH | ISHMAEL | JUDAH | JOSEPH |
| CAIN | ELKANA | ISAAC | LEVI | MANASSEH |
| ABEL | SAMUEL | ESAU | GAD | EPHRAIM |
| SETH | AARON | JACOB | NAPHTALI | SAUL |
| NOAH | NADAB | REUBEN | SIMEON | JONATHAN |
| HAM | HUR | DAN | ISSACHAR | DAVID |
| SHEM | CALEB | ASHER | ZEBULUN | SOLOMON |
| | ABRAHAM | | BENJAMIN | |

M A N A S S E H E S A U A W
I B I D O H S I S S A U L R
A E A A L A E O N H E E E D
R L C V O O T M I S U H V I
H A M I M N H S L M S F I T
P H R D O I M S A A R O N T
E L K A N A H S T U U D A N
C G A D H I O N H J U J D A
I S S A C H A R P A H A A H
T M R M C C K E A P A C B T
O B E N J A M I N H D O E A
A I S H M A E L R E U B E N
N O E M I S S N O T J L S O
C A L E B I T E O H E U K J
J O S E P H E N U L U B E Z

June 2022

Sunday	Monday	Tuesday	Wednesday	Thursday	Friday	Saturday
			1	2	3	4
5 Elder of the week Jerry Scheumann Pentecost Sunday 9:00am Adult Bible Class 10:00am Worship w/communion	6	7	8 11:30am Ladies Aid Birthday Party 7:30pm Elder's meeting	9	10	11 6:30pm Worship w/communion
12 Elder of the week Don Wiemers Trinity Sunday 9:00am Adult Bible Class 10:00am Worship	13	14 Flag Day	15	16	17	18
19 Elder of the week Rich Jones Father's Day 9:00am Adult Bible Class 10:00am Worship w/communion	20	21 Summer begins	22	23	24	25 6:30pm Worship w/communion
26 Elder of the week Ron Isenberg 9:00am Adult Bible Class 10:00am Worship	27 9:00am VBS	28 9:00am VBS	29 9:00am VBS	30 9:00am VBS		

St. Peter's Lutheran Church and School

7183 Renken Road

Dorsey, Il. 62021



June Birthdays

Vickey Henson	1 st
Lane Dustmann, Carver Thirion	2 nd
Rachel Lair	5 th
Molly Burns, Leona Goebel, Madelynn Peters, Frances Westerhold,	
Don Wiemers	6 th
Tim Cooper	8 th
Ethan Swan-Henson	10 th
Brenda Werner	11 th
Dalton Beers	12 th
Joshua Goebel, A. J Robertson	13 th
Mark Scheumann	16 th
George Loew	18 th
Garrett Burns, Adam Kuethe	19 th
Jeffrey Eden, Ethan Spurgeon	20 th
Jacob Schaefer, Madelyn Whitten	21 st
Gary Hacking	23 rd
Jim Bauer, Jeanine Gusewelle,	
Mick Hosto	24 th
Corinne Rondi	25 th
JoAnn Eden	27 th

Brayden Gusewelle	28 th
Deanna Robertson	30 th

June Anniversaries

Rodney & Cheryl Dustmann	21 years on 6/2
Gary & Patsy Franke	21 years on 6/2
Lance & Judy Haynes	33 years on 6/3
Jacob & Erin Goebel	18 years on 6/5
Steve & Jeanette Engelke	47 years on 6/7
Michael & Emily (Johnson) Aper	2 years on 6/8
Fred & Sylvia Bort	63 years on 6/13
Nicholas & Molly Santoro	4 years on 6/16
Bob & Denise Horton	30 years on 6/20
Joshua & Nicole Montoya	7 years on 6/20
Maurice & Maxine Duncan	59 years on 6/22
Myron & Kathy Wiemers	43 years on 6/22
David & Diana Peters	38 years on 6/23
Ted & Norma Kuethe	49 years on 6/29
Ralph & Ruth Newby	64 years on 6/29